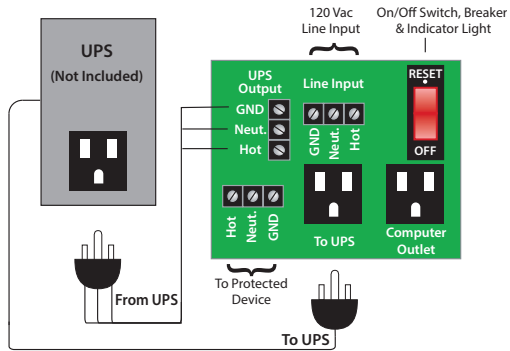


UNINTERRUPTABLE POWER SUPPLY KIT

PSH2RB10

UPS Power Control Center, 2.75" Track Mount in 12" x 14" x 6" Metal Enclosure



Shown With Cover



Shown Without Cover



SPECIFICATIONS

- Operating Temperature:** -30 to 140° F
- Humidity Range:** 5 to 95% (noncondensing)
- Main Breaker ON/OFF:** Switch / Breaker (10 Amp)
- Approvals:** UL Listed, UL916, C-UL, CE, RoHS
- Dimensions:** 12.000" H x 14.000" W x 6.000" D
Metal Housing with Screw Cover
- Origin:** Made of US and non-US parts

Notes:

- Track mounted interface board may be ordered separately as model PSMN2RB10, to be used with any commercial UPS with appropriate ratings for the circuit breaker.
- Circuit breaker for short protection.
- 14/3 Line Cord included (3').
- **Use with UPS devices rated 1000 VA or less.**
 - Max. size: 12.000" x 7.250" x 5.500"
 - 120 Vac max., 600 W max., 8.3 Amp max.
- **UPS is not included.**